

M Series Horizontal Multi-Cartridge

CARTRIDGE FILTER HOUSINGS

Designed for Use with High Flow Type Cartridges

INTRODUCTION

The Jonell Systems M series (formerly Nowata) horizontal, multi-cartridge housing utilizes a full length riser post to properly align cartridges during installation and ensure a positive seal. This prevents improper reseating of cartridges prior to being placed into service and also keeps possible system back pressure from dislodging the elements from their respective seals. The design also includes an internal element support plate to aid in dirty element removal without damage to element supports from dead weight deflection.

These housings are designed to be used with Jonell Systems JHFO High Flow type elements.

Filter cartridge access is conveniently located close to the operators waist making filter change-out quick and easy. Standard material of construction is carbon steel or stainless steel. In stainless steel construction, all wetted parts are stainless. The following non-wetted parts are made of carbon steel; Zinc plated bolts and nuts, davit arm assembly, leg assembly, and bolting lug assemblies.



FEATURES

- Housings contain twice as much surface area for the same diameter vessel as competitive products
- Unique guide tubes for easy, accurate installation of cartridges
- Dual O-Rings on elements seal themselves as the vessel cover is tightened, insuring no liquid bypass. Springs or cups are not used
- Gauge ports and drain ports are pre-tapped making gauges and valves easy to install
- Multiple options for housing o-rings
- Optional air eliminator that releases air from the vessel which eliminates manual venting. Automatic venting insures full use of the available filter surface area
- Vessels meet ASME Code Section VIII, Division I which insures premium material and construction for safety, quality and longer vessel life
- Wide range of pressures available
- Other closure types available



JONELL SYSTEMS™

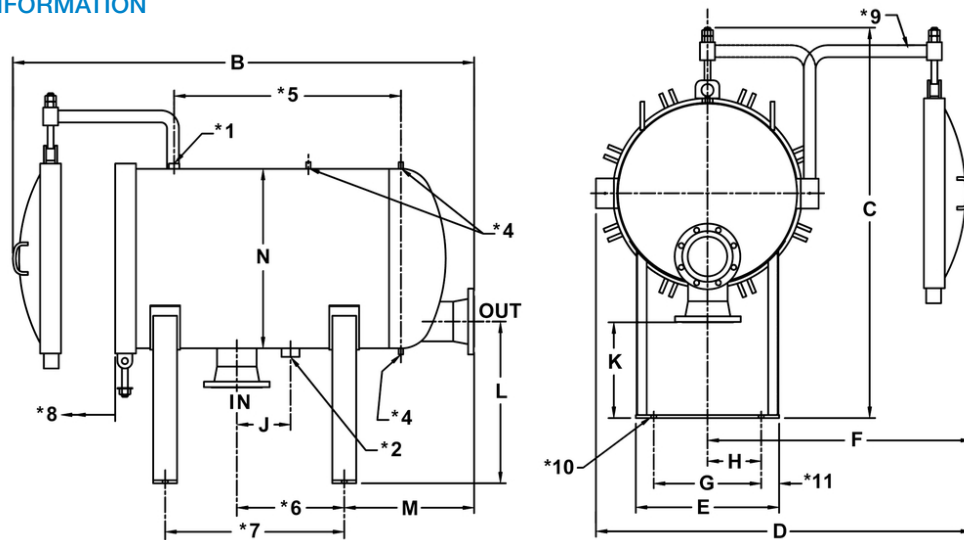
Filtration Group

ООО «ТИ-СИСТЕМС» ИНЖИНИРИНГ И ПОСТАВКА ТЕХНОЛОГИЧЕСКОГО ОБОРУДОВАНИЯ

Интернет: www.tisys.ru www.tisys.kz www.tisys.by www.tesec.ru www.ти-системс.пф

Телефоны: +7 (495) 7774788, 7489626, (925) 5007155, 54, 65 Эл. почта: info@tisys.ru info@tisys.kz info@tisys.by

DIMENSIONAL INFORMATION

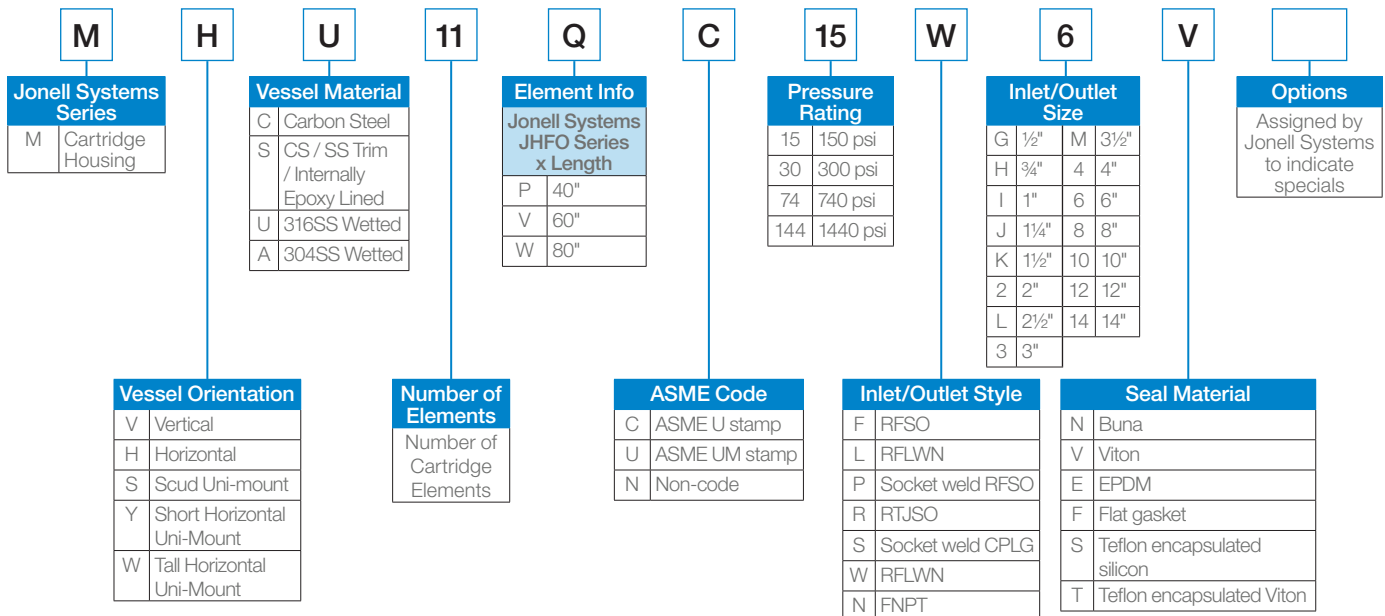


No. of Cartridges	Inlet / Outlet Size	B	C	D	E	F	G	H	J	K	L	M	N
4	4	64 ⁷ / ₈	44 ⁷ / ₈	38 ³ / ₈	14 ¹ / ₂	26 ³ / ₄	8 ¹ / ₂	4 ¹ / ₄	9	13	20 ¹ / ₂	16	18
5	4	65 ³ / ₄	49 ¹ / ₂	40 ³ / ₄	16	28 ¹ / ₂	10	5	9	13	21 ¹ / ₂	16 ¹ / ₂	20
7	6	68 ³ / ₄	56 ⁷ / ₈	51 ⁷ / ₈	19 ¹ / ₂	35 ³ / ₈	13 ¹ / ₂	6 ³ / ₄	9	16	26	17 ¹ / ₂	24
11	6	77 ¹ / ₄	65 ¹ / ₄	63	24	44 ³ / ₈	18	9	9	16	27	21 ³ / ₄	30
18	8	87 ¹ / ₂	75 ⁷ / ₈	79 ³ / ₄	29	58 ³ / ₄	23	11 ¹ / ₂	9	20	32	20 ¹ / ₂	36
21	8	96 ⁷ / ₈	84	92 ⁷ / ₈	34	67 ¹ / ₈	28	14	9	20	33	22	42
29	10	102 ⁵ / ₈	94 ⁷ / ₈	97 ³ / ₈	39	69 ³ / ₄	33	16 ¹ / ₂	11	23	38	23 ¹ / ₂	48

Dimensions in inches except where noted. Due to our continuing program of product improvement, specifications are for reference only and subject to change without notice. Dimensions are approximate values and not intended for piping specifications.

NOTES: *1 = 1 inch FNPT *4 = Drain 1/4 inch *6 = 18 inches *8 = 40 inches clearance required *9 = Davit arm assembly
 *2 = Drain 2 inches *5 = 38 inches *7 = 30 inches for element removal *10 = 7/8 inch x 1 1/2 inch slotted holes (typically 4 places)

TYPICAL MODEL NUMBER



M Series Vertical Multi-Cartridge

CARTRIDGE FILTER HOUSINGS

Designed for Use with High Flow Type Cartridges

INTRODUCTION

The Jonell Systems M Series (formerly Nowata), vertical cartridge housing utilizes a full length riser post to properly align cartridges during installation and ensure a positive seal. This prevents improper reseating of cartridges prior to being placed into service and also keeps possible system back pressure from dislodging the elements from their respective seals.

These housings are designed to be used with Jonell Systems JHFO High Flow type elements.

Housings that are 24 inches and under outside diameter feature a flat top style closure lid (as shown). Housings that are over 24 inches outside diameter utilize an elliptical top style closure. Standard material of construction is carbon steel or stainless steel. In stainless steel construction, all wetted parts are stainless. The following non-wetted parts are made of carbon steel: Zinc plated bolts and nuts, davit arm assembly, leg assembly, and bolting lug assemblies.

FEATURES

- Housings contain twice as much surface area for the same diameter vessel as competitive products
- Unique guide tubes for easy, accurate installation of cartridges
- Dual O-Rings on elements seal themselves as the vessel cover is tightened, insuring no liquid bypass. Springs or cups are not used
- Gauge ports and drain ports are pre-tapped making gauges and valves easy to install
- Multiple options for housing o-rings
- Optional boom and hoist are available to lift cartridges out of housing making the housing safer and easier to use than competitive vessels without this feature
- Optional air eliminator that releases air from the vessel which eliminates manual venting. Automatic venting insures full use of the available filter surface area
- Vessels meet ASME Code Section VIII, Division I which insures premium material and construction for safety, quality and longer vessel life
- Wide range of pressures available
- Other closure types available



JONELL SYSTEMS™

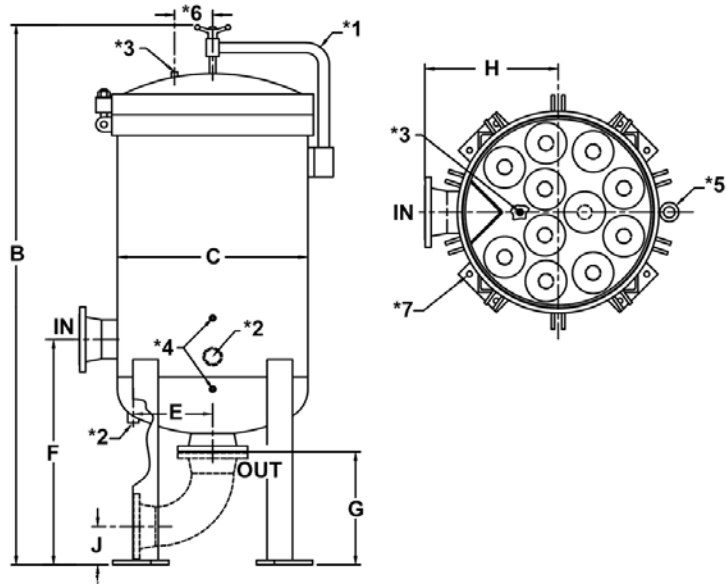
Filtration Group

ООО «ТИ-СИСТЕМС» ИНЖИНИРИНГ И ПОСТАВКА ТЕХНОЛОГИЧЕСКОГО ОБОРУДОВАНИЯ

Интернет: www.tisys.ru www.tisys.kz www.tisys.by www.tesec.ru www.ти-системс.рф

Телефоны: +7 (495) 7774788, 7489626, (925) 5007155, 54, 65 Эл. почта: info@tisys.ru info@tisys.kz info@tisys.by

DIMENSIONAL INFORMATION



No. of Cartridges	Inlet / Outlet Size	B	C	D	E	F	G	H	J
4	4	78	18	24	6½	27½	12½	13	5½
5	4	79⅝	20	26	7½	28½	13	15	6
7	6	84	24	28	9½	36¾	19⅞	17	6½
11	6	91⅜	30	34	12½	38⅞	19⅞	21	6½
18	8	101⅞	36	33¾	14¾	46⅝	24⅝	24	8½
21	8	116½	42	45⅞	16⅝	48¾	24⅞	29	8
29	10	127¾	48	52¾	21⅜	57½	28⅝	32	9½

Dimensions in inches except where noted. Due to our continuing program of product improvement, specifications are for reference only and subject to change without notice. Dimensions are approximate values and not intended for piping specifications.

NOTES: Inlet/Outlet is ANSI 150 Class *2 = Drain 2 inches, far side *4 = DP taps ¼ inch *6 = 6 inches
 *1 = Davit arm assembly *3 = Vent ¼ inch FNPT *5 = Davit pivot location *7 = 7/8 inch on BC (typically 4 places)

TYPICAL MODEL NUMBER

M	H	U	11	Q	C	15	W	6	V	
Jonell Systems Series		Vessel Material		Element Info		Pressure Rating		Inlet/Outlet Size		Options
M Cartridge Housing		C Carbon Steel S CS / SS Trim / Internally Epoxy Lined U 316SS Wetted A 304SS Wetted		Jonell Systems JHFO Series x Length P 40" V 60" W 80"		15 150 psi 30 300 psi 74 740 psi 144 1440 psi		G ½" M 3½" H ¾" 4 4" I 1" 6 6" J 1¼" 8 8" K 1½" 10 10" 2 2" 12 12" L 2½" 14 14" 3 3"		Assigned by Jonell Systems to indicate specials
	Vessel Orientation		Number of Elements		ASME Code		Inlet/Outlet Style		Seal Material	
	V Vertical H Horizontal S Scud Uni-mount Y Short Horizontal Uni-Mount W Tall Horizontal Uni-Mount		Number of Cartridge Elements		C ASME U stamp U ASME UM stamp N Non-code		F RFSO L RFLWN P Socket weld RFSO R RTJSO S Socket weld CPLG W RFLWN N FNPT		N Buna V Viton E EPDM F Flat gasket S Teflon encapsulated silicon T Teflon encapsulated Viton	



JONELL SYSTEMS™

Filtration Group

ООО «ТИ-СИСТЕМС» ИНЖИНИРИНГ И ПОСТАВКА ТЕХНОЛОГИЧЕСКОГО ОБОРУДОВАНИЯ

Интернет: www.tisys.ru www.tisys.kz www.tisys.by www.tesec.ru www.ти-системс.рф

Телефоны: +7 (495) 7774788, 7489626, (925) 5007155, 54, 65 Эл. почта: info@tisys.ru info@tisys.kz info@tisys.by